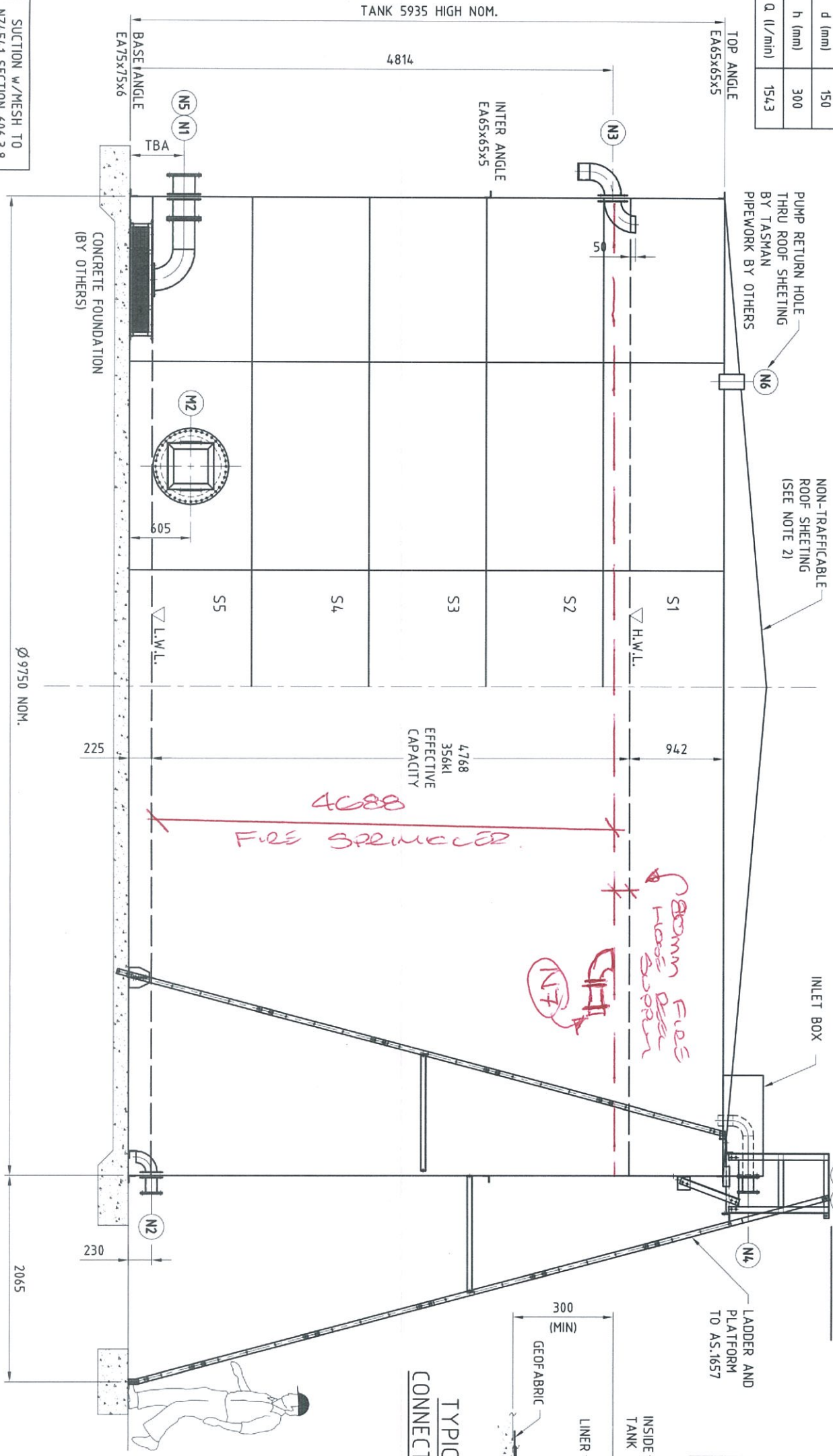


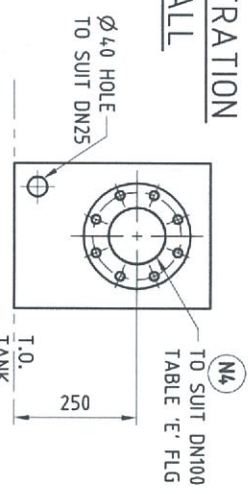
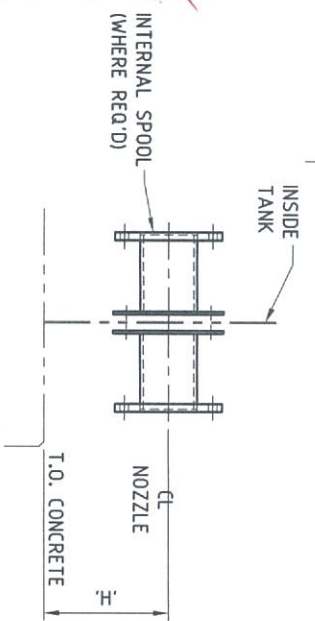
PENETRATION SCHEDULE

MARK No.	QTY	FITTING SIZE	INTERFACE	SERVICE	MATERIAL	ORIENTATION	FITTING HEIGHT 'H' (mm)
N1	1	DN200	TABLE 'E'	OUTLET (VORTEX)	HDG	TBA	TBA
N2	1	DN100	TABLE 'E'	SLUDGE DRAIN	HDG	TBA	230
N3	1	DN150	ROLLED GROOVE	OVERFLOW	HDG	TBA	4814
N4	1	DN100	TABLE 'E'	MANUAL INFILL	GALVABOND	W/ LADDER	6185
N5	1	DN200	TABLE 'E'	HYDRANT SUCTION W/VORTEX	HDG	TBA	TBA
N6	1	DN100	HOLE	PUMP RECIRCULATION	-	SITE LOCATED	ROOF
M1	1	750SQ	-	ROOF MANHOLE	GALVABOND	W/ LADDER	ROOF
M2	1	600NB	-	SIDE ENTRY MANWAY	HDG	TBA	605
L1	1	-	-	LADDER	HDG	TBA	-
L2	1	-	-	LEVEL INDICATOR	HDG	SITE LOCATED	-

NT-1 - DN200 - Ball Valve - Fire hose cabinet - Fire hose reel outlet - HDG

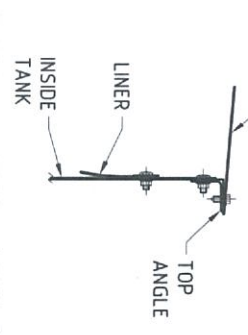
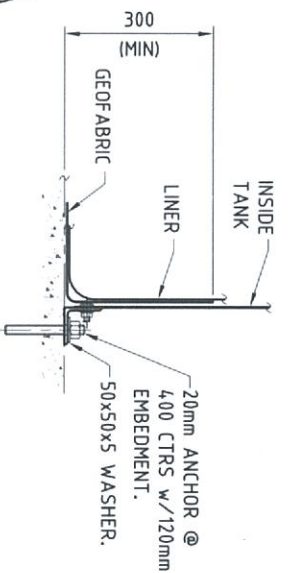


TANK ELEVATION



TANK SPECIFICATION

TANK DIAMETER (mm)	9750
TANK HEIGHT (mm)	5935
OPERATING PRESSURE (kPa)	ATMOSPHERIC
DESIGN PRESSURE (kPa)	ATMOSPHERIC
EFFECTIVE CAPACITY (kL)	356
HYDROSTATIC TEST REQ'D	YES
CONTENTS	FIRE WATER
TANK WALLS	G450 Z600 GALVABOND
TANK COLOUR	TBA
FOUNDATION	CONCRETE SLAB BY OTHERS
ROOF STRUCTURE	GALVABOND Z275
ROOF SHEETING	0.42 MONOCLAD - COLORBOND
ROOF SHEETING COLOUR	TBA
WIND ANGLES	HOT DIP GALVANISED
LINER	REINFORCED 0.6mm HEAVY DUTY PVC
LINER PROTECTION	GEOFABRIC MEMBRANE (BIDEM A24)
SEALANT	SIKAFLEX POLYURETHENE FLEXIBLE
FASTENERS	HOT DIP GALVANISED
INTERNAL LADDERS	HOT DIP GALVANISED
EXTERNAL LADDERS	HOT DIP GALVANISED



NOTES:
 1. ALL DIMENSIONS IN MILLIMETERS (U.N.O.), DO NOT SCALE.

13 SHEETS AROUND
5 SHEETS HIGH



Locked Bag 1005
 Plumpton NSW 2761 Australia
 Ph. +61 2 8887 5000
 Fax. +61 2 8887 5099
 info@tasmantanks.com.au

Client:
NZ DAIRY COLLABORATIVE GROUP LTD

Project:
NZ DAIRY COLLABORATIVE GROUP BLENDING PLANT

Design: TS600
 Size: 9.75m DIA x 5.93m HIGH
 Effective Capacity: 356KL

Title:
FIRE WATER TANK GENERAL ARRANGEMENT

Drawing #:
NZ100108 - T001

By	Chkd	Date	Revision	Remarks
BM	FFD	3.06.16	A	ISSUED FOR APPROVAL